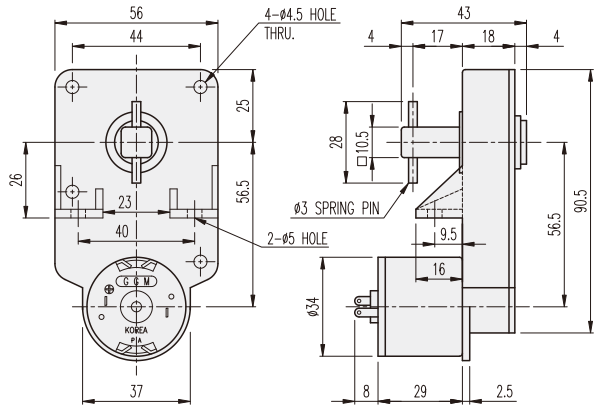


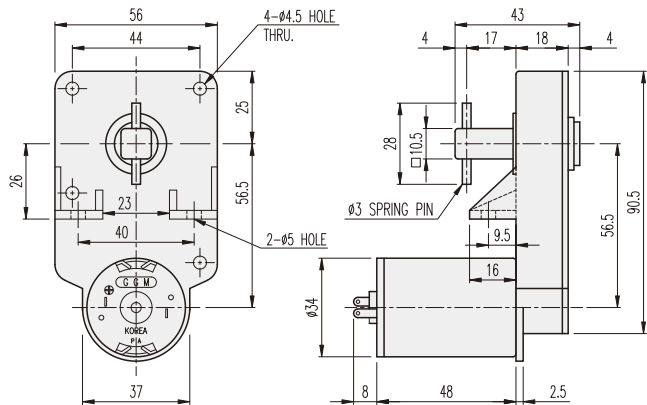
KGP-TYPE(FRANGE)

DIMENSIONS

KGP-3429 SERIES



KGP-3448 SERIES



AT MAXIMUM EFFICIENCY (KGP-□□□□-KD3429□□)

| GEAR | MODEL | | KD3429S1 | | KD3429S2 | | KD3429T1 | | KD3429T2 | | KD3429P1 | | KD3429P2 | |
|--------|--------|--------|----------|--------|----------|--------|----------|--------|----------|--------|----------|--------|----------|--------|
| | DC 12V | | DC 24V | | DC 12V | | DC 24V | | DC 12V | | DC 24V | | DC 24V | |
| | rpm | kgf-cm | rpm | kgf-cm | rpm | kgf-cm | rpm | kgf-cm | rpm | kgf-cm | rpm | kgf-cm | rpm | kgf-cm |
| 1/0062 | 72.6 | 1.5 | 72.6 | 1.5 | 104.8 | 1.5 | 104.8 | 1.5 | 129 | 3.2 | 129 | 1.5 | 1.5 | 1.5 |
| 1/0116 | 38.8 | 2.7 | 38.8 | 2.7 | 56 | 2.7 | 56 | 2.7 | 69 | 6 | 69 | 2.7 | 2.7 | 2.7 |

AT MAXIMUM EFFICIENCY (KGP-□□□□-KD3448□□)

| GEAR | MODEL | | KD3448S1 | | KD3448S2 | | KD3448T1 | | KD3448T2 | | KD3448P1 | | KD3448P2 | |
|--------|--------|--------|----------|--------|----------|--------|----------|--------|----------|--------|----------|--------|----------|--------|
| | DC 12V | | DC 24V | | DC 12V | | DC 24V | | DC 12V | | DC 24V | | DC 24V | |
| | rpm | kgf-cm | rpm | kgf-cm | rpm | kgf-cm | rpm | kgf-cm | rpm | kgf-cm | rpm | kgf-cm | rpm | kgf-cm |
| 1/0062 | 72.6 | 3.2 | 72.6 | 3.2 | 104.8 | 3.2 | 104.8 | 3.2 | 129 | 3.2 | 129 | 3.2 | 3.2 | 3.2 |
| 1/0116 | 38.8 | 6 | 38.8 | 6 | 56 | 6 | 56 | 6 | 69 | 6 | 69 | 6 | 6 | 6 |

* 減速比整個電動機和輸出軸的旋轉方向相同。